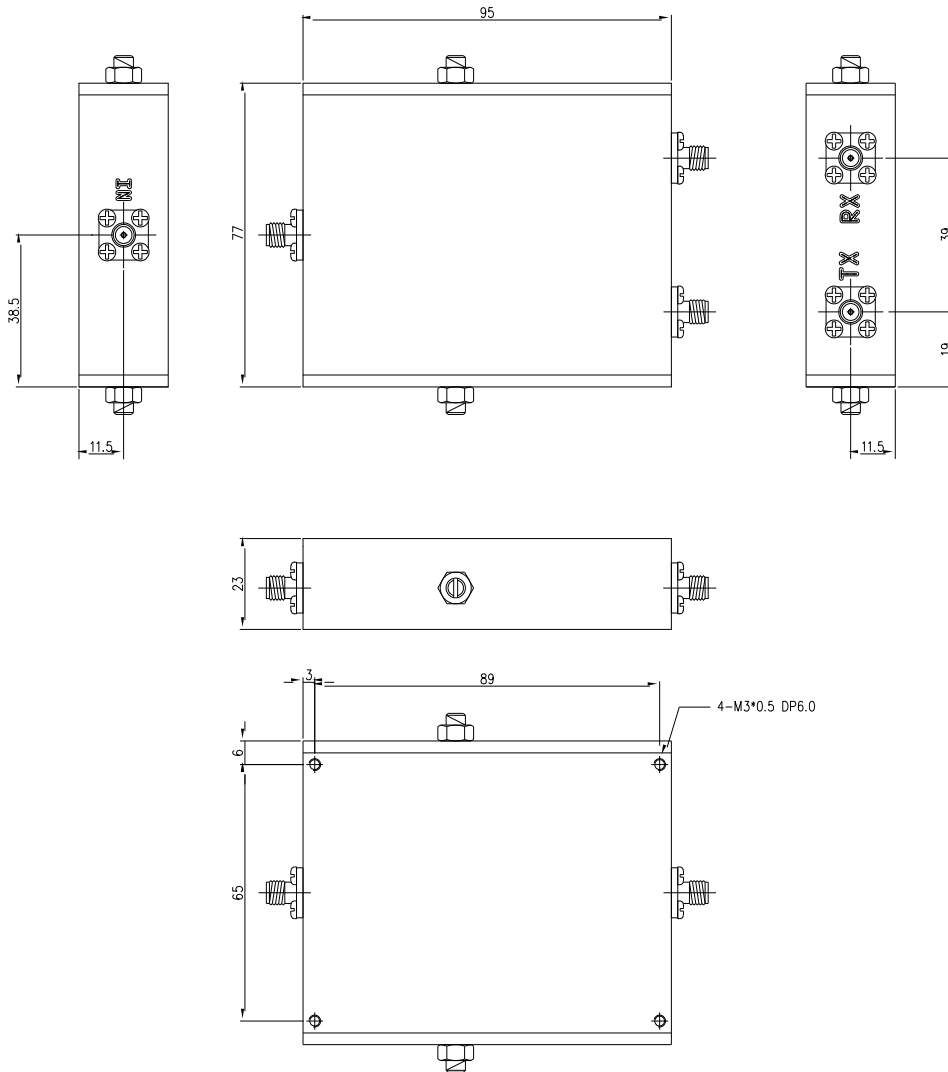


03/Jan/2019

PRODUCT SPECIFICATION FOR INFORMATION

- Product Name : CAVITY DIPLEXER
- Part No : MDP-C1030/1090BP8/10M

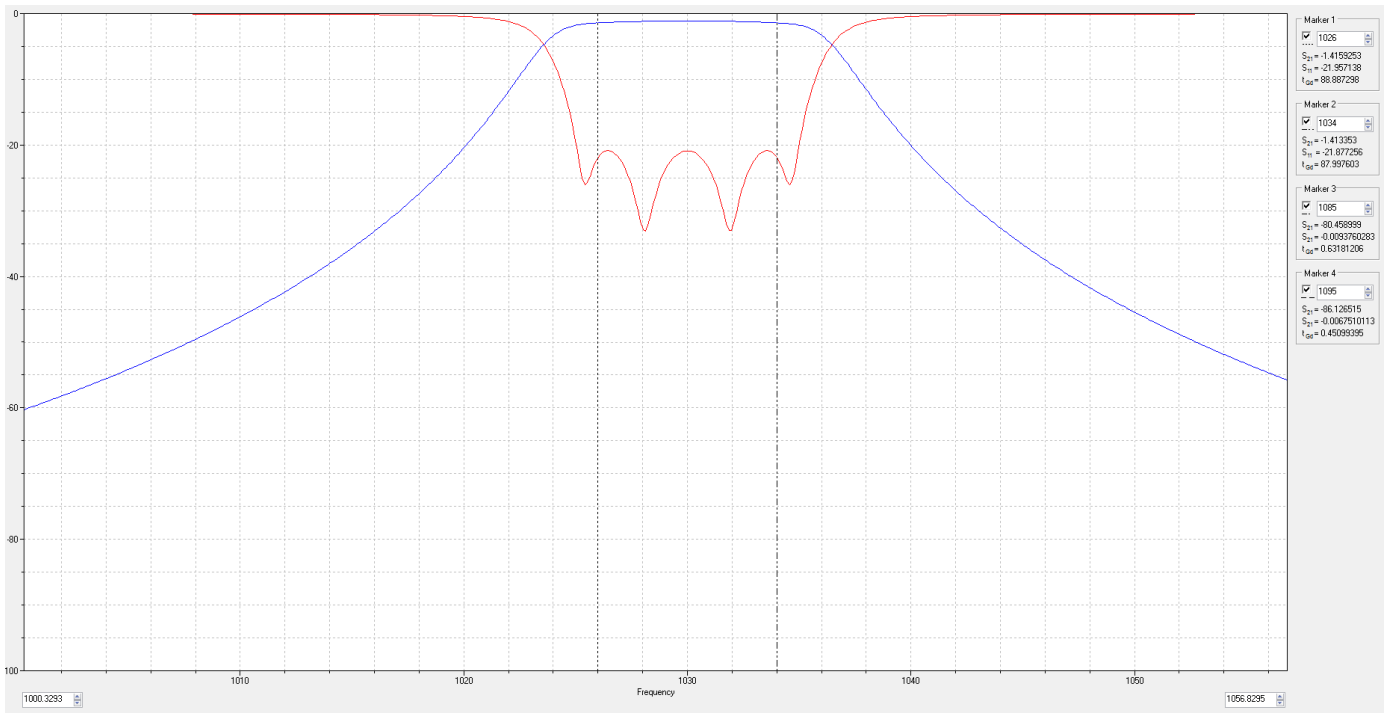
PRELIMINARY SPECIFICATION



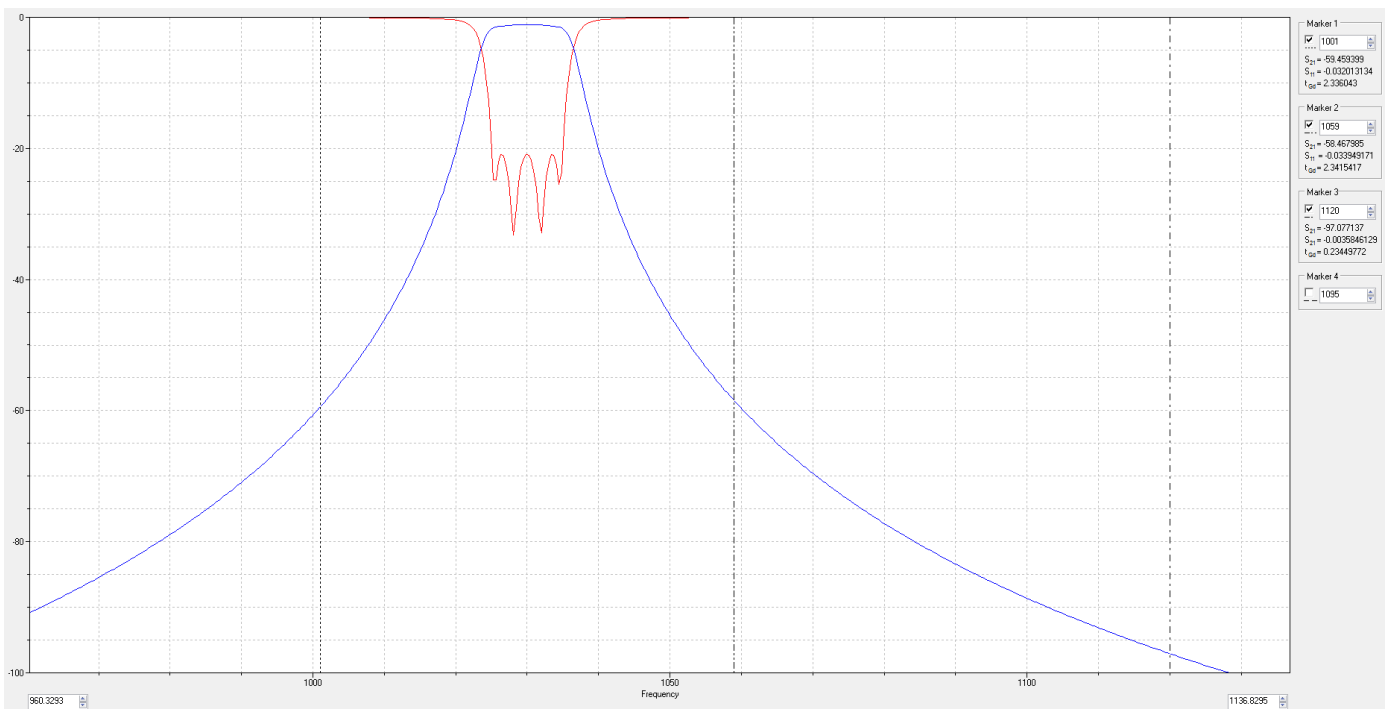
■ ELECTRICAL SPECIFICATION

Parameter	Specification		Remark
Band	RX	TX	
Center Frequency	1030MHz	1090MHz	
Band Width	1026 ~ 1034MHz	1085 ~ 1095MHz	
Insertion Loss	2.5dB Max.	1.0dB Max.	
Return Loss	20dB Min.		
Attenuation	35dB@1001MHz 35dB@1059MHz 35dB@1120MHz		
Isolation	60dB Min.		
Average Power Handling (CW)	60 Watt		
Peak Power Handling over 32uS	3000W		
In/Out Impedance	50Ω		
Connectors	SMA(F)		
Operating Temperature	-40°C to +85°C		
Dimension	95.0 X 77.0 X 23.0 mm		
Finish	Black epoxy coating		

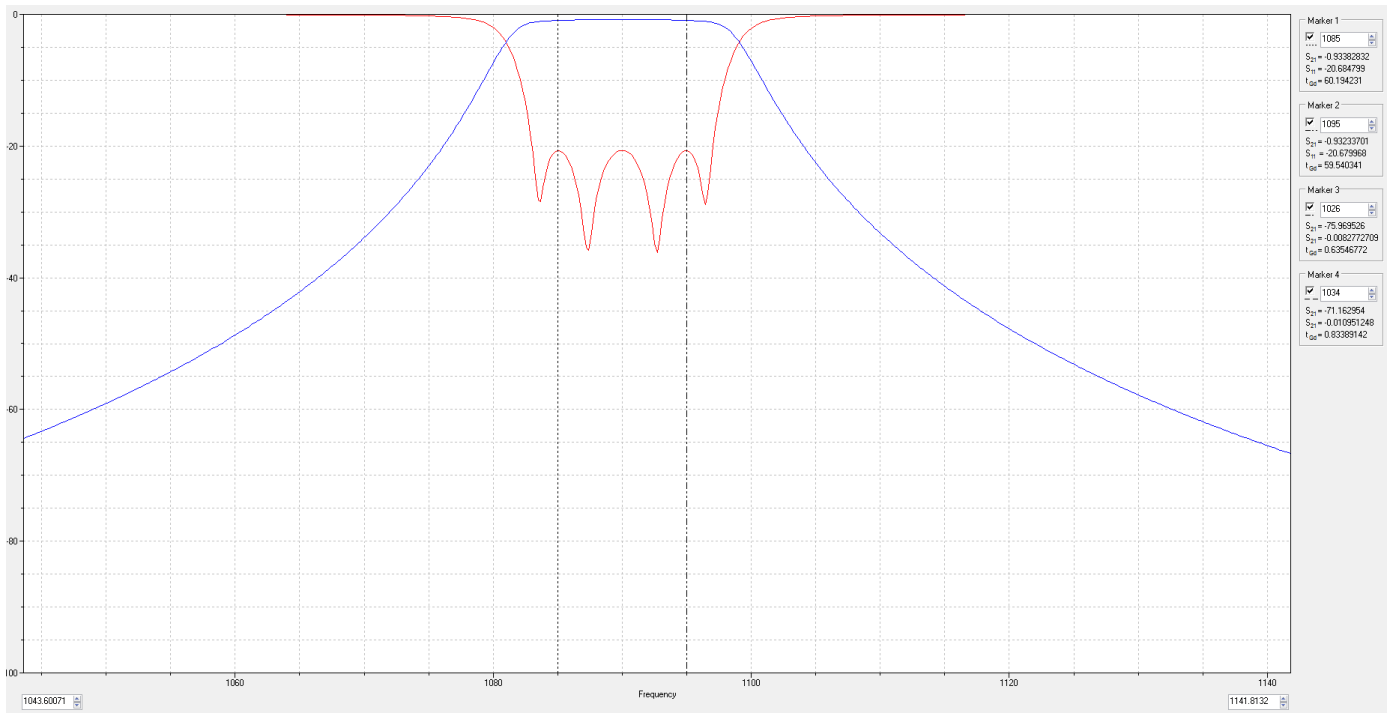
Simulation Data



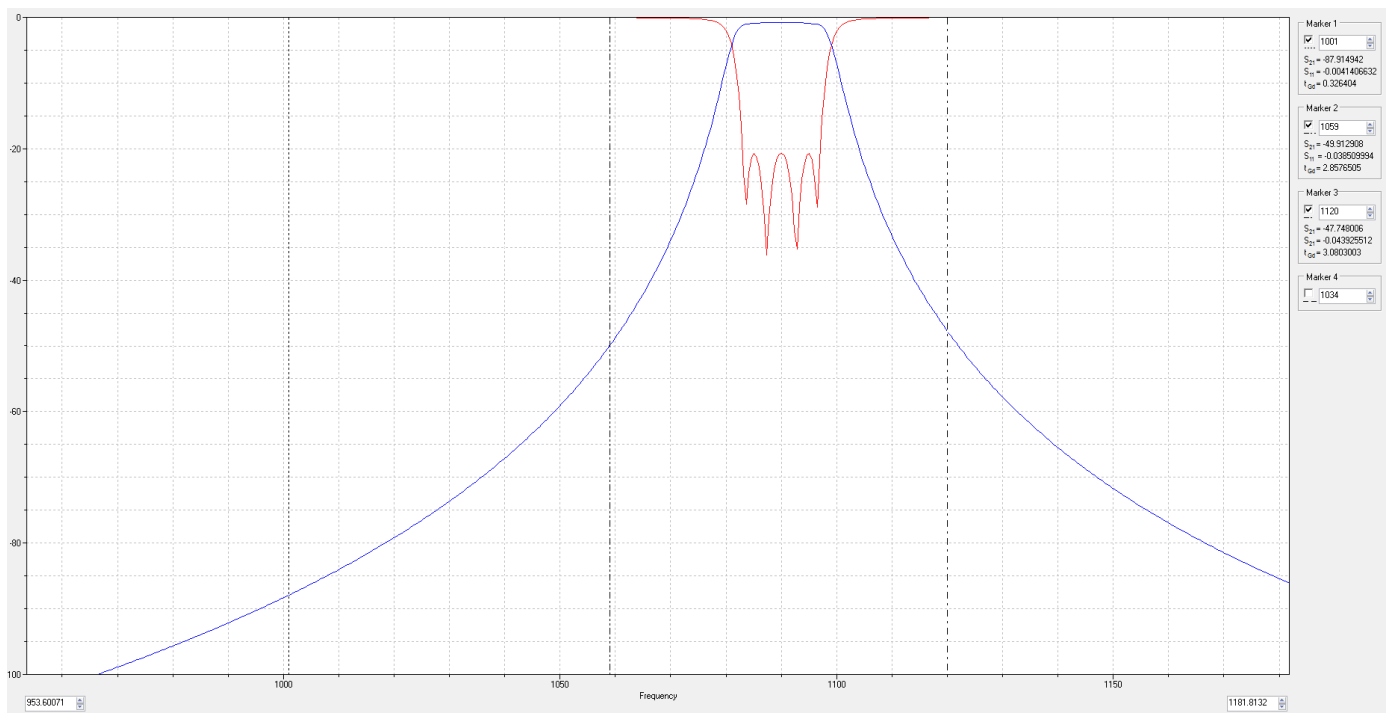
[Rx Main [Insertion loss , Return loss]



[Rx Attenuation]



[Tx Main Insertion loss , Return loss]



[Tx Attenuation]