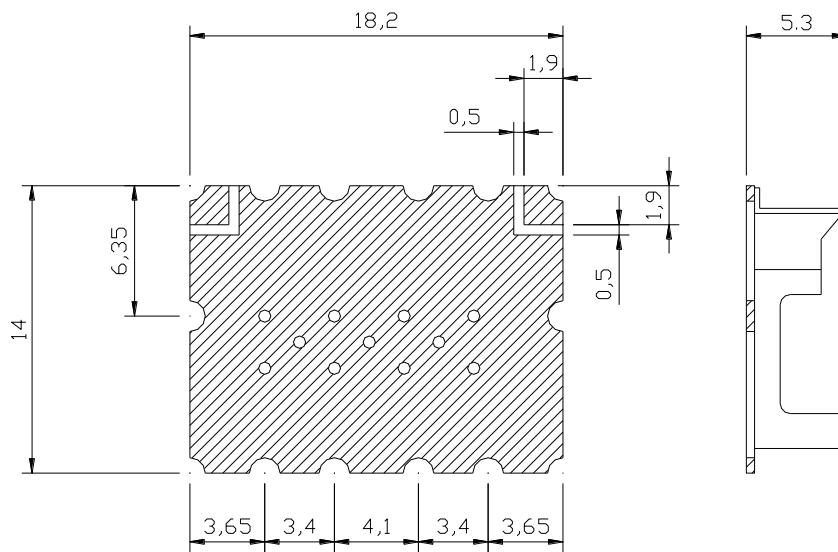


27/Oct/2015

PRODUCT SPECIFICATION FOR INFORMATION

- Product Name : CERAMIC BAND PASS FILTER
- Part No : MBP-4R4-750BP100M

PRELIMINARY SPECIFICATION



Unit : mm
Tolerance : ± 0.3

1. Center Frequency : 750MHz
2. Bandwidth : 100MHz
3. Insertion Loss : 1.0dB Max.
4. Rejection : 14dB Min @ 650MHz
10dB Min @ 850MHz
5. V.S.W.R : 1.5 : 1
6. Operating Temperature : -40°C ~ +80°C
7. Storage Temperature : -55°C ~ +85°C
8. Size : 18.2 X 14 X 5.3mm



[PLOT DATA]