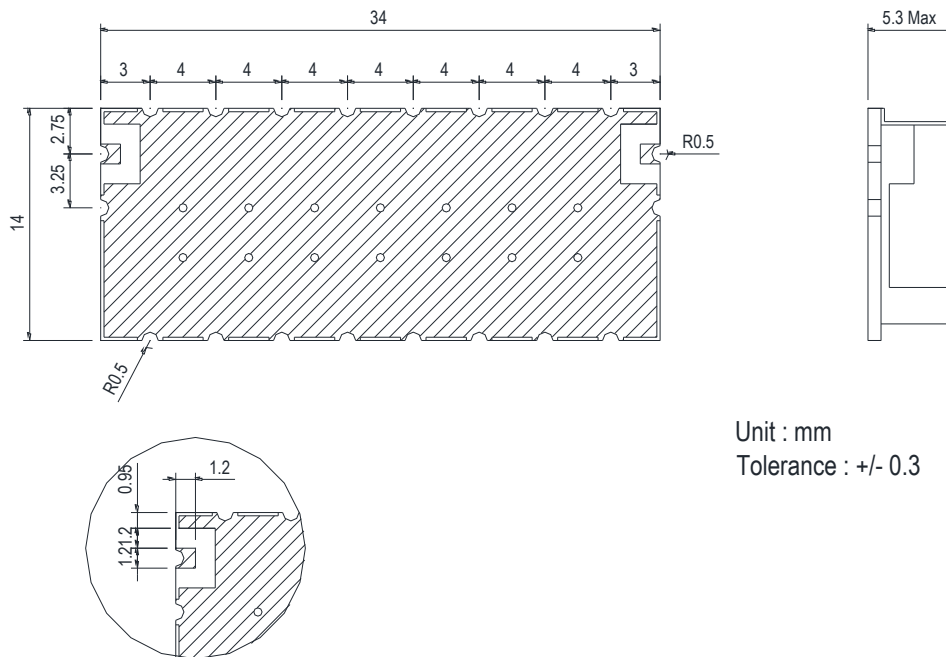


25/Oct/2016

PRODUCT SPECIFICATION FOR INFORMATION

- Product Name : CERAMIC BANDPASS FILTER
- Part No : MBP-8R4-1187.5BP100M

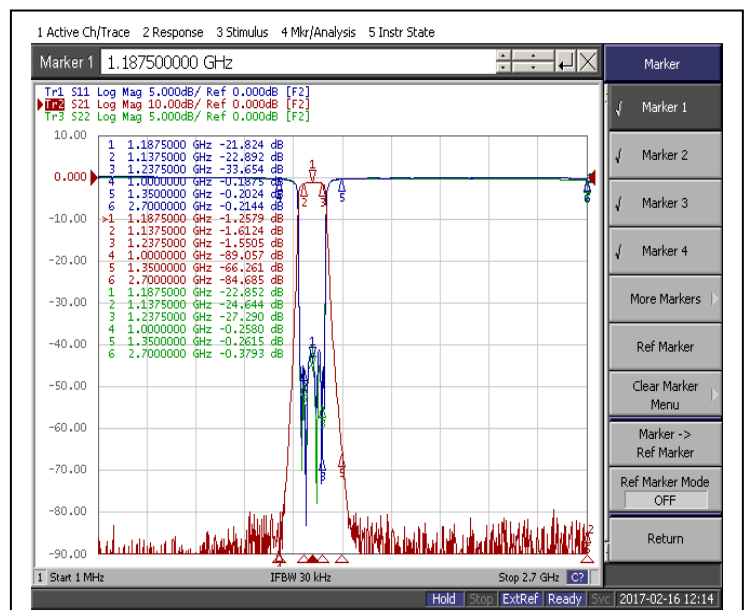
PRELIMINARY SPECIFICATION



Unit : mm
Tolerance : +/- 0.3

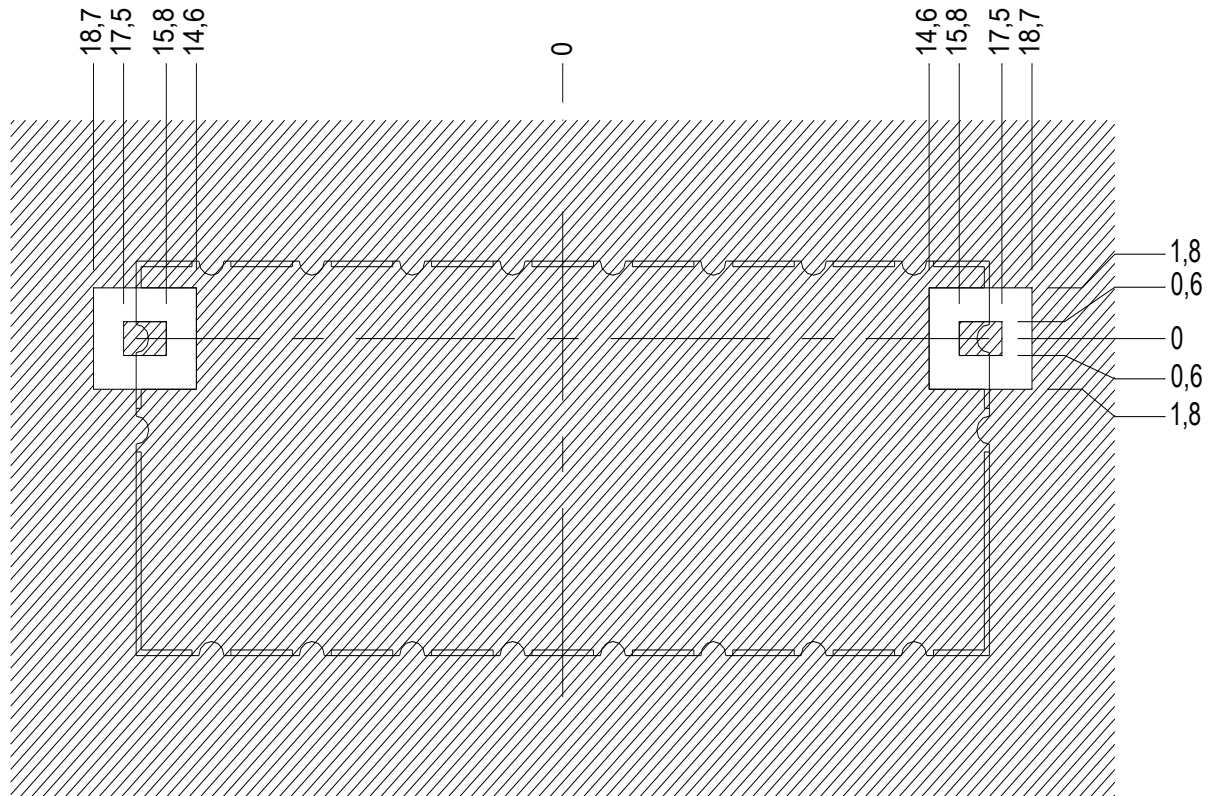
A-A

1. Center Frequency : 1187.5MHz
2. 3dB Bandwidth : 100MHz (1137.5 ~ 1237.5MHz)
3. Insertion Loss in BW : 3dB (max).
4. Ripple in BW : ± 0.25 dB (max).
5. Rejection : 60dB Min. @ 1 MHz to 1000MHz.
60dB Min. @ 1350MHz to 2700MHz.
6. Input Power : 1.0W Max.
7. Impedance : 50 Ω
8. Operating Temperature : -40 $^{\circ}$ C ~ +85 $^{\circ}$ C
9. Size : 34 X 14 X 5mm

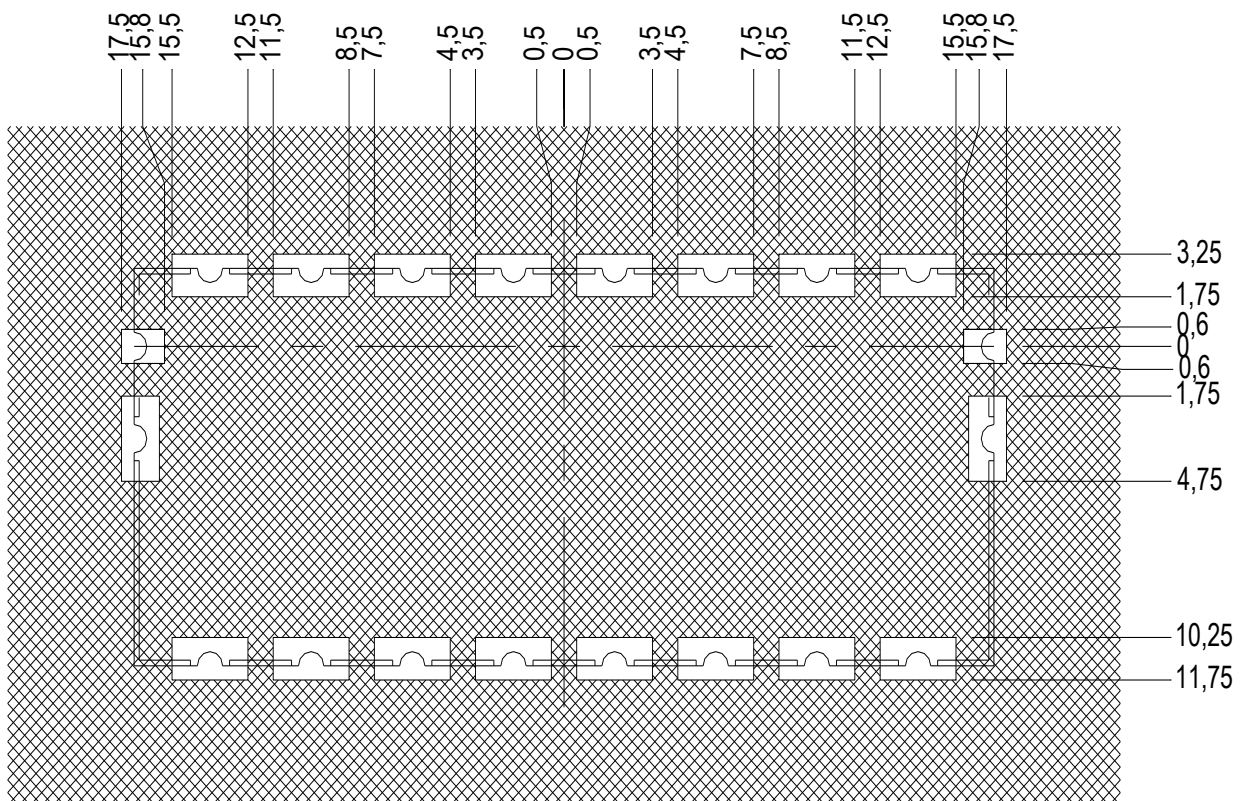


[PLOT DATA]

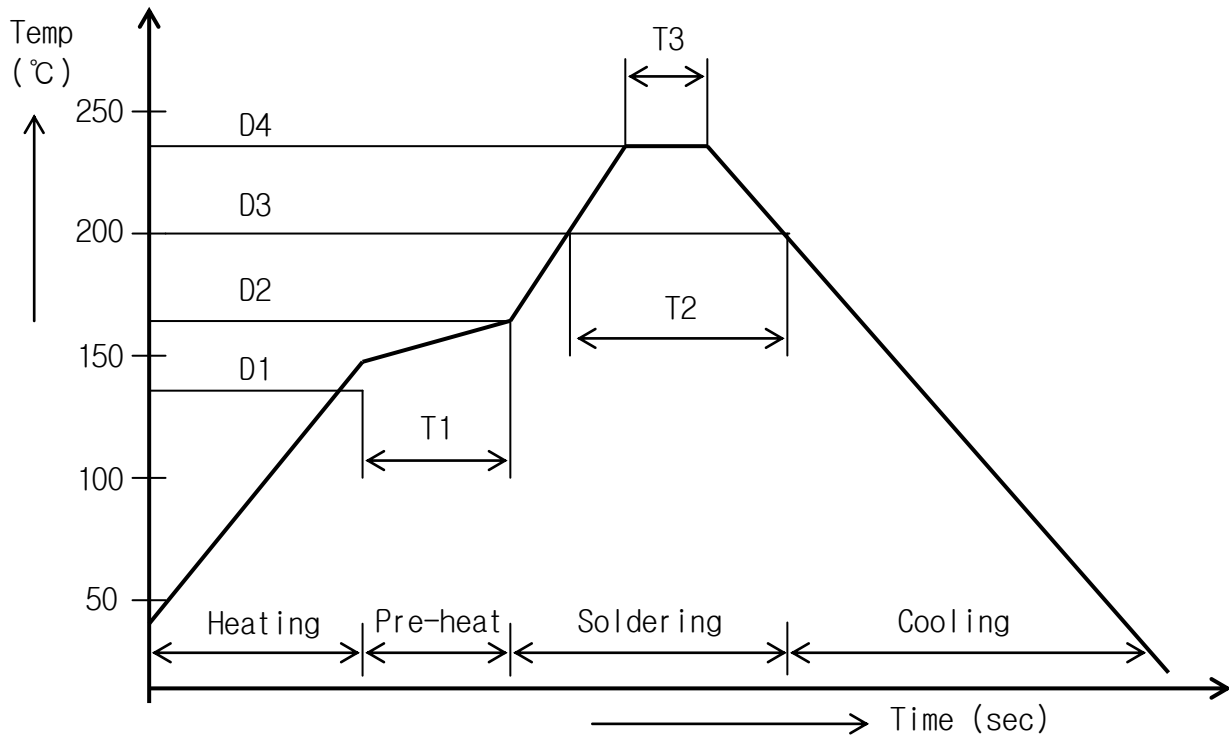
■ Land Pattern



■ Solder Resistor



■ Soldering Time Profile



No	ITEM	TEMPERATURE	TIME(SEC)
1	PRE-HEAT	D1 : 140 ~ D2 : 160	T1 : 60±20
2	SOLDERING	D3 : 200	T2 : 20 ~ 30
3	TEMPERATURE	D4 : 230±10	T3 : 7 MAX

1) Soldering Iron Condition

- (1) Temperature : 230°C max
- (2) Duration : 4 sec max (1 part)
- (3) Capacity : 3W max