

## PRODUCT SPECIFICATION FOR INFORMATION

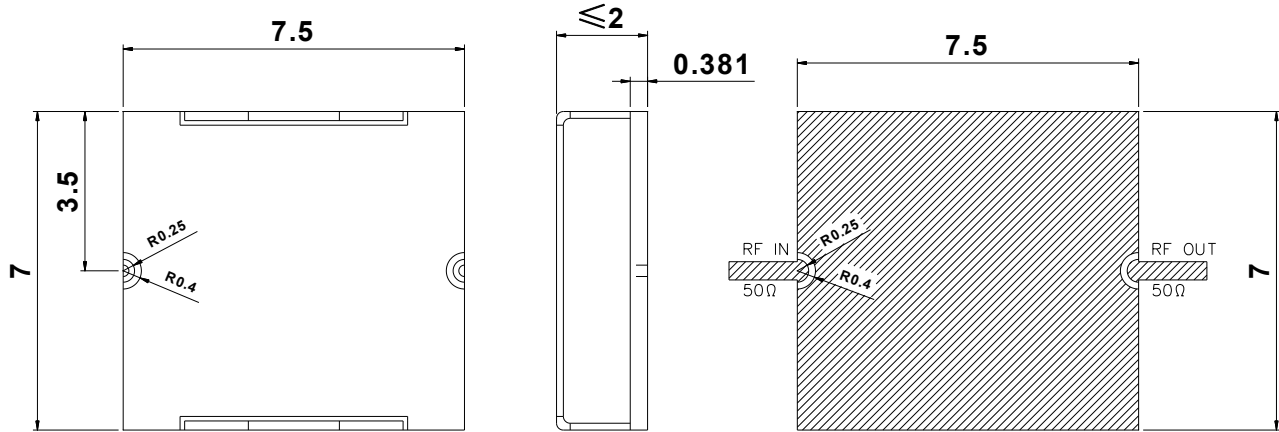
**Product Name : Thin Film Band Pass Filter**

**Part No : MBP-C4900\_2200MA-A-R1**

### ■ History List

No.	Rev. No.	Description	Date	Author	Final Approver
1	R0	Draft	2026.03.03.	Jeffrey Jeong	Michael Jeon
2	R1	Width changed to 7mm	2026.04.21.	Jeffrey Jeong	Michael Jeon
3					
4					
5					
6					

## ■ Mechanical Drawing



## ■ Electrical Specification

Parameter	Specification	Remark
1. Center Frequency	4900MHz	
2. Bandwidth	2200MHz [ 3800 ~ 6000MHz]	
3. Insertion Loss in BW	3.0dB Max.	
4. Ripple in BW	2.0dB Max.	
5. Return Loss in BW	10dB Min.	
8. Attenuation[Absolute Value]	60dBc min @ DC ~ 1800MHz 40dBc min @ 1800 ~ 2800MHz 45dBc min @ 7000 ~ 8000MHz 60dBc min @ 8000 ~ 9000MHz TBD min @ 9000 ~ 24000MHz	
10. Power Handling	30dBm Max.	
12. In/Out Impedance	50Ω	
13. Temperature Range	-40°C ~ +85°C	

※It is subjected to change with prior notice.

■ Simulation Curve

