

PRODUCT SPECIFICATION FOR INFORMATION

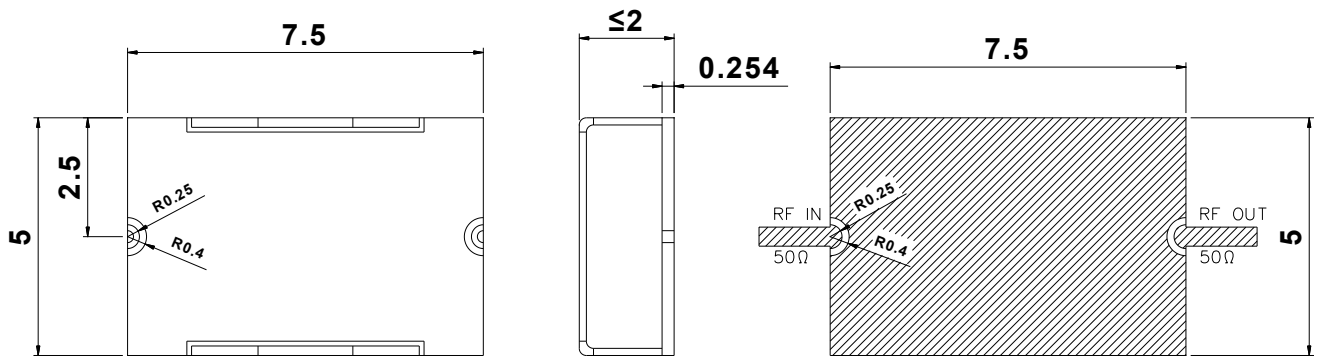
Product Name : Thin Film Band Pass Filter

Part No : MBP-C9000_3000MA-A-R0

■ History List

No.	Rev. No.	Description	Date	Author	Final Approver
1	R0	Draft	2026.03.03.	Jeffrey Jeong	Michael Jeon
2					
3					
4					
5					
6					

■ Mechanical Drawing



■ Electrical Specification

Parameter	Specification	Remark
1. Center Frequency	9000MHz	
2. Bandwidth	3000MHz [7500 ~ 10500MHz]	
3. Insertion Loss in BW	3.5dB Max.	
4. Ripple in BW	2.0dB Max.	
5. Return Loss in BW	10dB Min.	
6. Attenuation[Absolute Value]	60dBc min @ DC ~ 5500MHz 40dBc min @ 5500 ~ 6500MHz 45dBc min @ 11500 ~ 12500MHz 60dBc min @ 12500 ~ 17000MHz TBD min @ 17000 ~ 24000MHz	
7. Power Handling	30dBm Max.	
8. In/Out Impedance	50Ω	
9. Temperature Range	-40°C ~ +85°C	

※It is subjected to change with prior notice.

Simulation Curve

