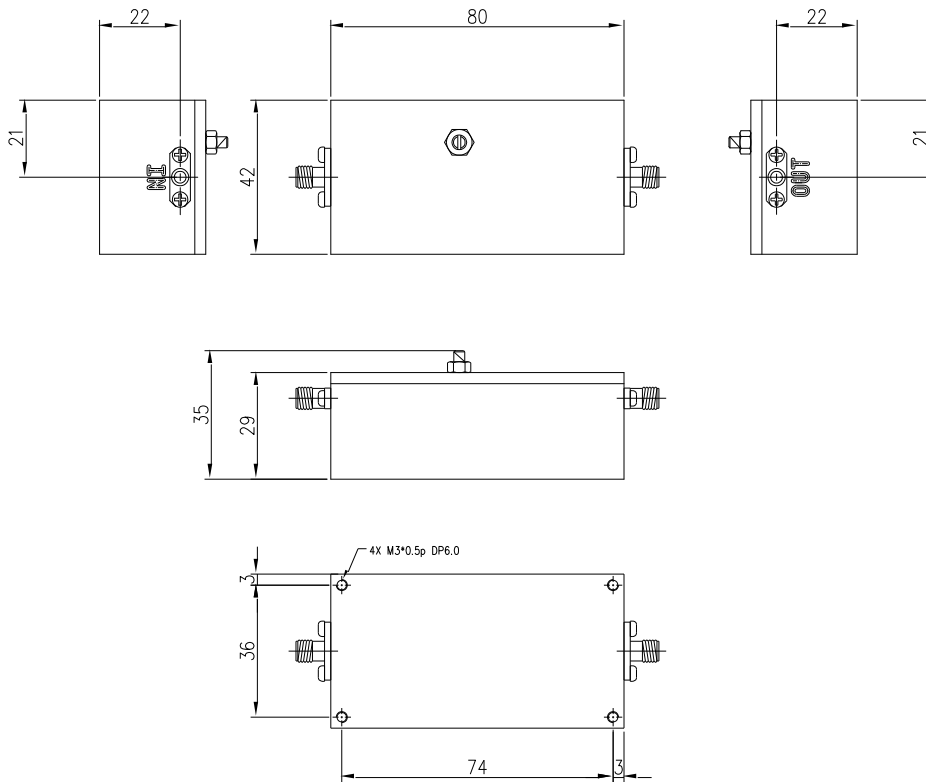
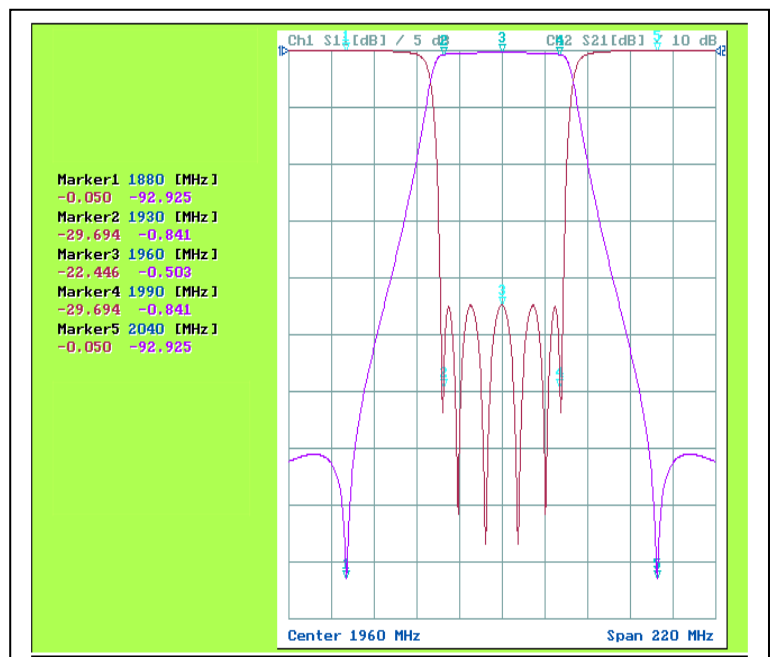


## PRODUCT SPECIFICATION FOR INFORMATION

- Customer : MELCOM
- Product Name : CAVITY BAND PASS FILTER
- Part No : MBP-C1960BP60M\_#8



1. Center Frequency : 1960MHz
2. Bandwidth : 60MHz
3. Insertion Loss : 1dB Max.
4. Return Loss : 18.0dB Min
5. Rejection : 67dB Min. @ 1880MHz  
67dB Min. @ 2040MHz
6. Impedance : 50Ω
7. Input Power rating : 1W Avg Max.
8. Operating Temperature : -30°C ~ +75°C
9. Size : 42 X 80.0 X 29mm Max.
10. Connector : 2 X SMA(F)



[ SIMULATION CURVE ]