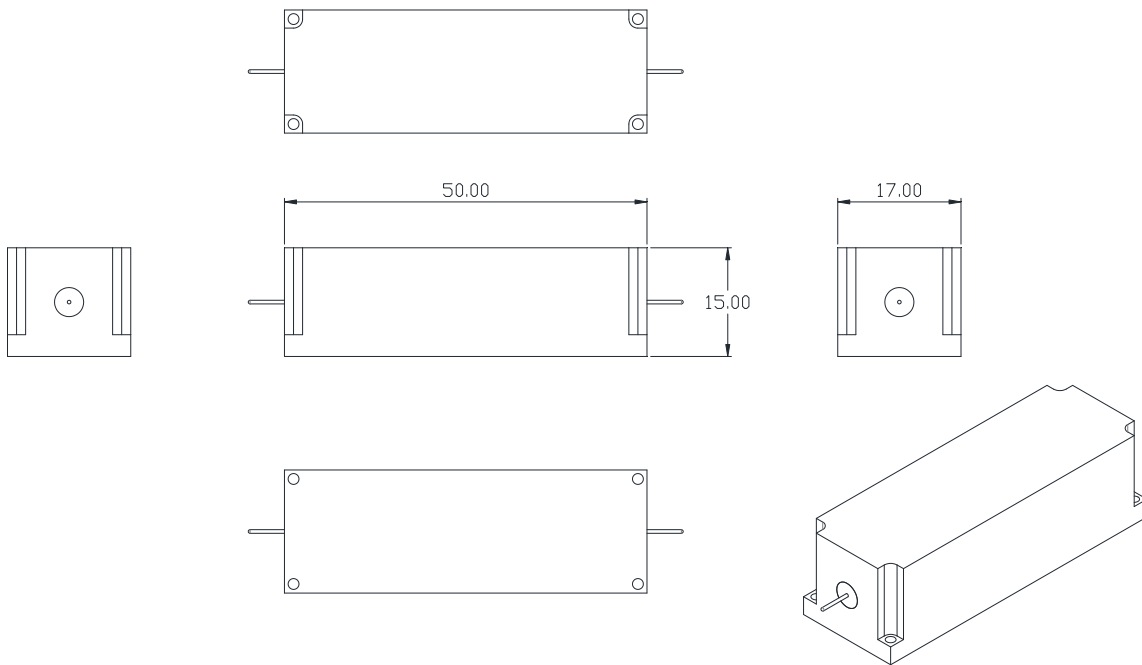


## PRODUCT SPECIFICATION FOR INFORMATION

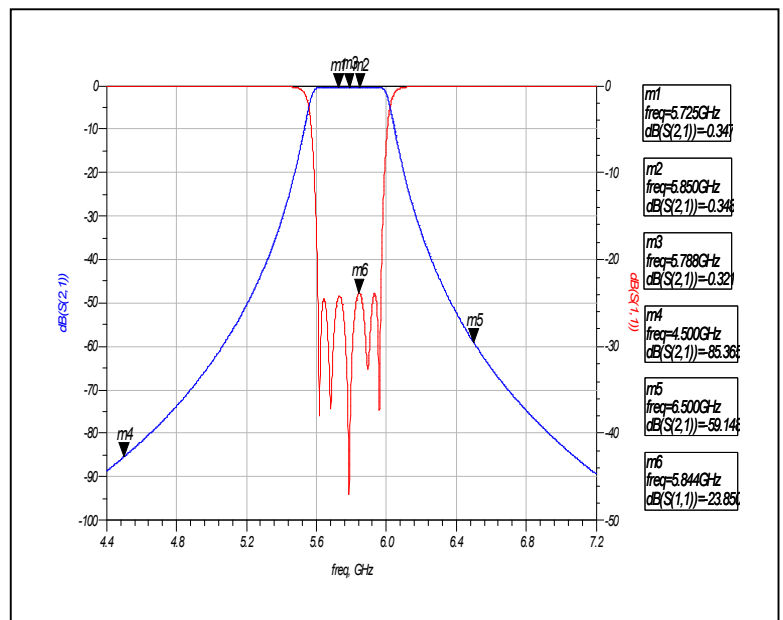
- Customer : BEL
- Product Name : CAVITY BAND PASS FILTER
- Part No : MBP-C5788BP125B

Preliminary Specification



※ It is subjected to change with prior notice because it is conceptual drawing.

1. Center Frequency : 5788MHz
2. Bandwidth : 125MHz
3. Insertion Loss at Fo : 0.5dB Max.
4. Return Loss : 20dB Min.
5. Attenuation : 50dB min @ 4500MHz  
50dB min @ 6500MHz
6. Impedance : 50Ω
7. Input Power : 10W Max.
8. Operating Temperature : -40℃ ~ +85℃
9. Dimensions : 50 X 17 X 15mm



[SIMULATION GRAPH]