

PRODUCT SPECIFICATION FOR INFORMATION

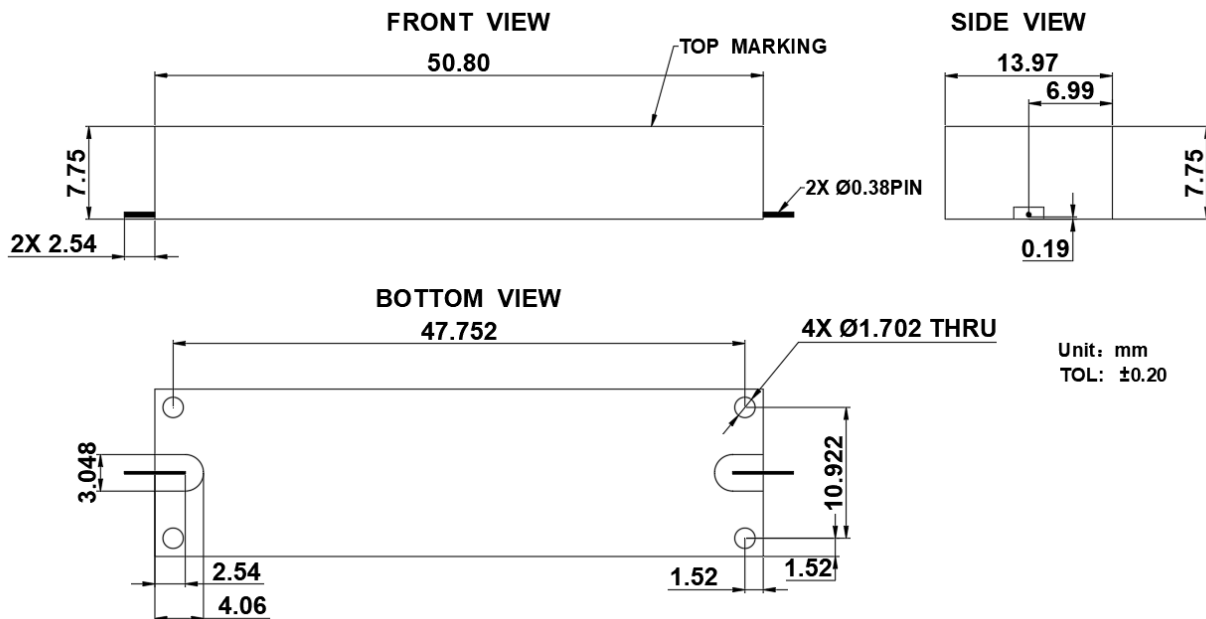
PRELIMINARY SPECIFICATION

Product Name : Dielectric Band Pass Filter

Part No : MBP-C12075_400MD-A-R0

.	Rev. No.	Description	Date	Author	Final Approver
1	R0	First Draft	2026.04.07.	Jeffrey Chung	Michael Jeon

■ Mechanical Drawing



■ Electrical Specification

Item	Specification	Remark
1. Frequency Range	12075MHz	
2. Bandwidth	400MHz [11875MHz ~ 12275MHz]	
3. Insertion Loss in BW	2.5dB Max.	
4. Ripple in BW	1.0dB Max.	
5. Return Loss in BW	14dB Min.	
6. Rejection [Absolute Value]	70dBc min @ 10 ~ 11275MHz 35dBc min @ 11275 ~ 11675MHz 35dBc min @ 12475 & 12875MHz 70dBc min @ 12875 ~ 17500MHz TBD @ 17500 ~ 25000MHz	
7. Impedance	50Ω	
8. Input Power Rating	1W Max.	
9. Operating Temperature	-40°C ~ +85°C	
10. Size	50.8 X 13.97 X 7.75mm ±0.2mm	

Remarks: This is a preliminary datasheet for reference.

■ Simulation Curve

