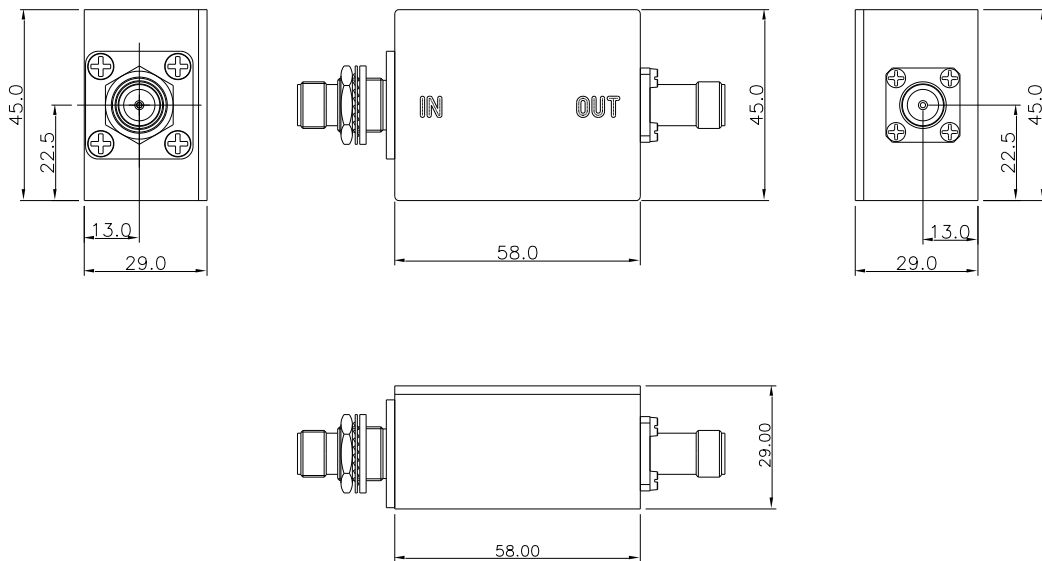


PRODUCT SPECIFICATION FOR INFORMATION

- Customer : ELTA
- Product Name : High Pass Filter
- Part No :MHP-500-3000M_2.5GT-A

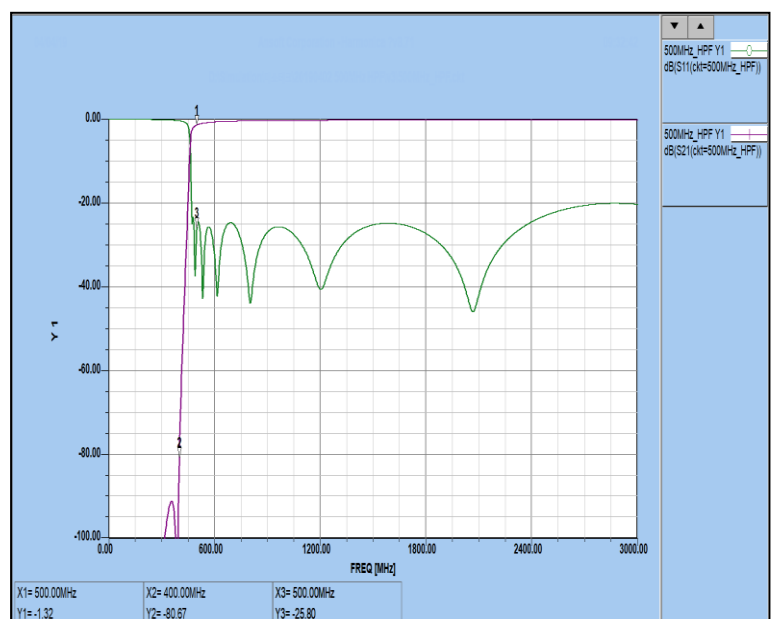
PRELIMINARY SPECIFICATION



[Mechanical 2D Drawing]

■ Electrical Specification

1. Cut off Frequency :500MHz
2. Frequency Range : 500~3000MHz
3. Insertion Loss : 2.0dB Max.
4. Return Loss : 15dB Min.
5. Rejection : 60dB Min. @ 400MHz
6. Impedance : 50Ω
8. Input Power : 5W CW Max
9. Connectors : TNC(F) Type
10. Size : 58.0 x 45.0 x 29mm Max.
11. Finish : Clear chemical film per MIL-C-5541, Class 3
12. Operating Temperature Range : -40~ +85°C



[Simulation Curve]