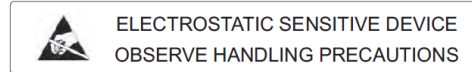


Features:

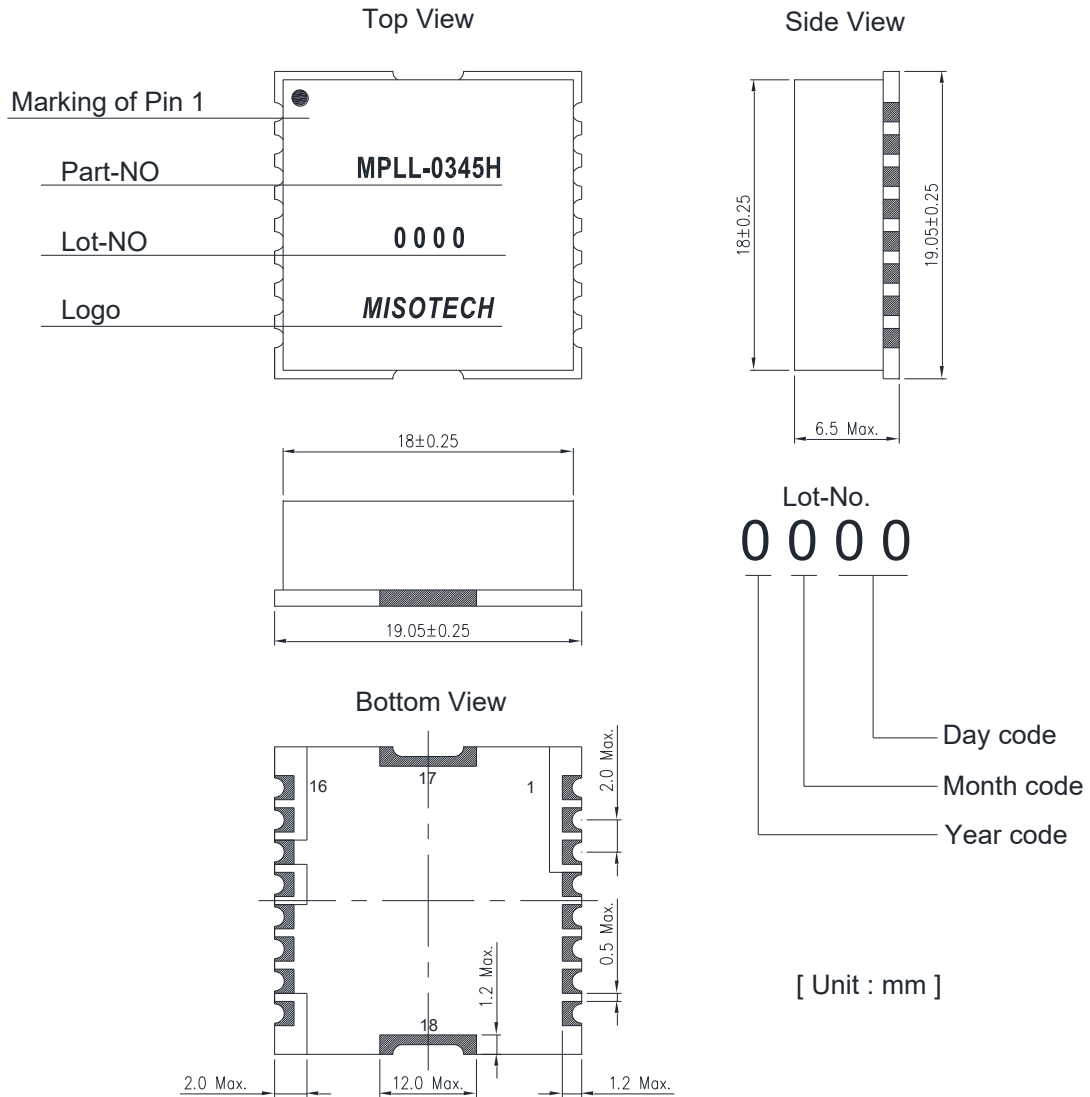
- Hybrid Integrated Circuit
- Surface Mounted Device Type
- Shield Case : Nickel Silver
- 18PIN Type



Electrical Specifications (TA=+25Deg.C, 50Ω system)

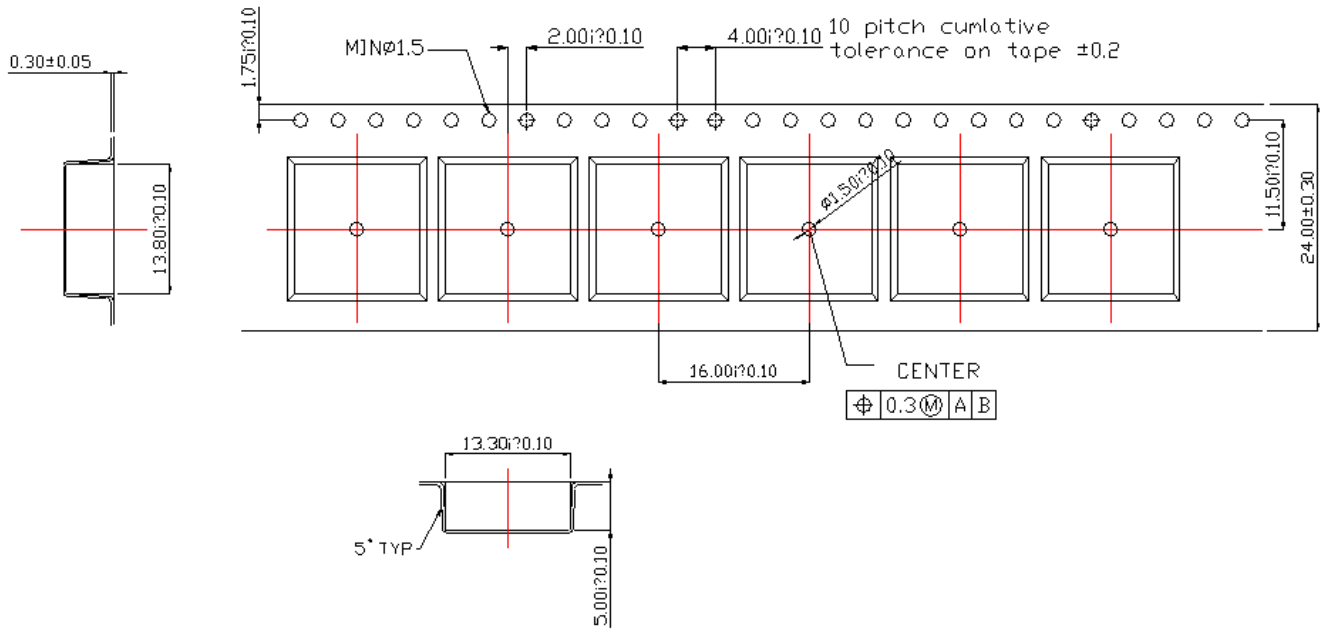
NO	ITEM	UNIT	MIN	TYP	MAX
1	Operating Frequency Range	MHz		345.6	
2	Output Power Level	dBm	+3.0	+5.0	+7.0
3	Harmonics Level (2 nd)	dBc			-15
4	Spurious Level	dBc			-70
5	Phase Noise at offset @ 1kHz at offset @ 10kHz at offset @ 100kHz	dBc/Hz dBc/Hz dBc/Hz		-85 -105 -120	
6	Lock Time	msec			30
7	Output Impedance	Ω		50	
8	VCO Supply Voltage	V	+4.75	+5.00	+5.25
9	PLL Supply Voltage	V	+4.75	+5.00	+5.25
10	Built-In Reference Freq.	MHz		13±2.5ppm	
11	Current Consumption	mA			40
12	Lock Detector Voltage	V Low	V		+0.5
		V High	V	+4.5	
13	Operating Temp. Range	°C	-30		+75

Dimensions

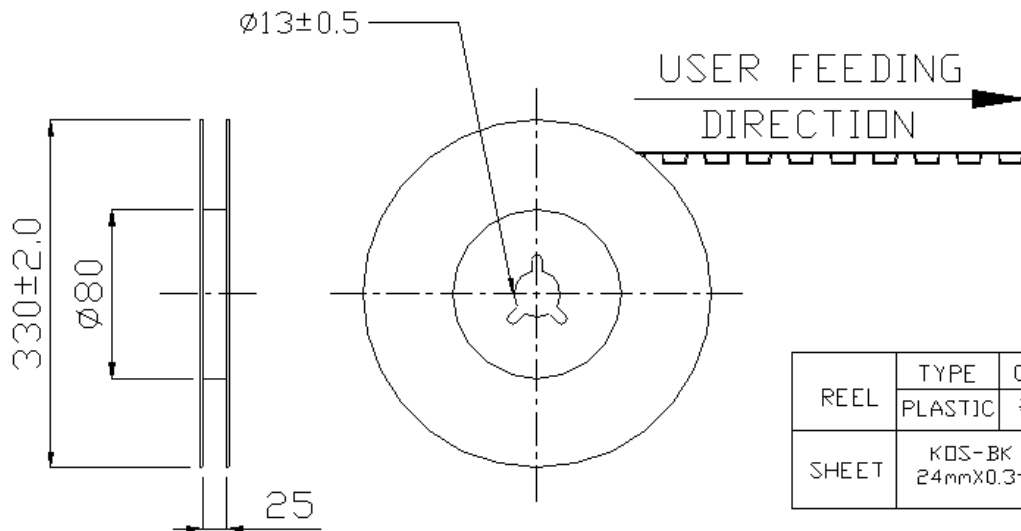


Terminal Connection			
Pin NO	Terminal NAME	Pin NO	Terminal NAME
9	VCO Vcc	15	PLL Vcc
13	RF Out	16	Lock Detect (LD)
All Other Pins are Ground			

Packing



Taping



REEL	TYPE	COLOR	HUB	SIZE
	PLASTIC	흑,백색	80	330
SHEET	KDS-BK 24mmX0.3t	POCKET COUNTER	750 POCKET	

REEL DIMENSION

Reel